

7. After-Sales

From the day you purchase our products within 1 years, if being used properly in accordance with the instruction, and quality problems occur, we provide free repair or replacement services except the following cases:

- 1.Any defects caused by wrong operations.
- 2.Any damages caused by inappropriate power supply or abnormal voltage.
- 3.Any damages caused by unauthorized removal, maintenance, modifying circuit, incorrect connections and replacing chips.
- 4.Any damages due to transportation, breaking, flooded water after the purchase.
- 5.Any damages caused by earthquake, fire, flood, lightning strike etc force majeure of natural disasters.
- 6.Any damages caused by negligence, inappropriate storing at high temperature and humidity environment or near harmful chemicals.
- 7.Product has been updated.

8. Kindly Reminder

Power Source Selection:

Power source must be DC constant voltage type of power supply. Due to the efficient output in some power supplies are only 80% of total, so please select at least 20% higher output power supply than the consumption of LED lights.

**WATERPROOF 1-10V Dimming Driver
User Manual**



(Please read through this manual carefully before use)

1. Brief Introduction

Welcome to use this 1-10V dimming driver which has solved the compatible problem of fluorescent dimming controller and LED illumination; with our driver, the controller can dim both fluorescent and LED lamps at the same time.

2. Specifications

Model	Waterproof 1-10V dimming driver
Input voltage	DC12V-24V
Max Load Current	5A×4CH
Input Signal	1-10V
Output signal	Constant voltage PWM
Max output power	240W(12V)/480W(24V)
Product Dimension	L173*W45*H25mm
Product size	35cm
Package Size	L215*W80*H30mm
Weight	310g

3. Basic Features

- 1.Working voltage from DC12V-DC24V.
- 2.Compatible with major brands dimming systems interface.
- 3.4ch output, 4096 scale each channel; logarithmic dimming
- 4.Short circuit protection; over current protection.
- 5.Power loss memory function.

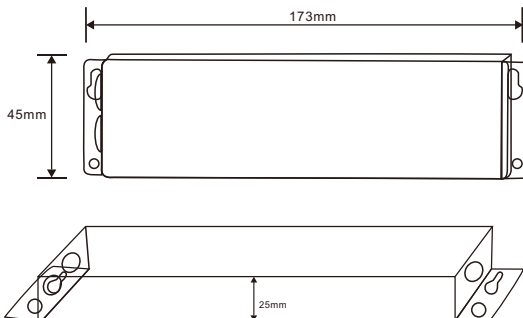
4. Safety warnings

Please don't install this controller in lightning, intense magnetic and high-voltage fields.

- 1.To reduce the risk of component damage and fire caused by short circuit, make sure correct connection
- 2.Always be sure to mount this unit in an area that will allow proper ventilation to ensure a fitting temperature.
- 3.Check if the voltage and power adapter suit the controller (please select DC12-24V power supply with constant voltage)
- 4.Don't connect cables with power on; make sure a correct connection and no short circuit checked with instrument before power on.
- 5.Please don't open controller cover and operate if problems occur.

The manual is only suitable for this model; any update is subject to change without prior notice.

5. Dimensions



6. Conjunction Diagram

1-10V dimming driver connect with LED strip :

