

4-Zone Color Temperature Remote (2.4GHz)

Model No.: C1

Contents

<u>Product Features</u>	2
<u>Product parameters</u>	2
<u>Button Description</u>	3
<u>Instructions for pairing/clearing codes with lamps</u>	4
<u>Installation Notes</u>	5
<u>Attention</u>	5

1. Product Features

Adopts 2.4GHz frequency with low power consumption long distance transmitting, strong anti-interference, and fast communication rate, Simply press the button on the remote control, You can enjoy the comfortable lighting effect. Mini easy for using, Magnetic installation is very firm. Can control designated Mi-Light / MiBoxer 2.4G lamps, The color temperature and brightness of the light can be adjusted.

2. Product parameters

Model No.: C1

Working Voltage: 3V (AAA * 2PCS)

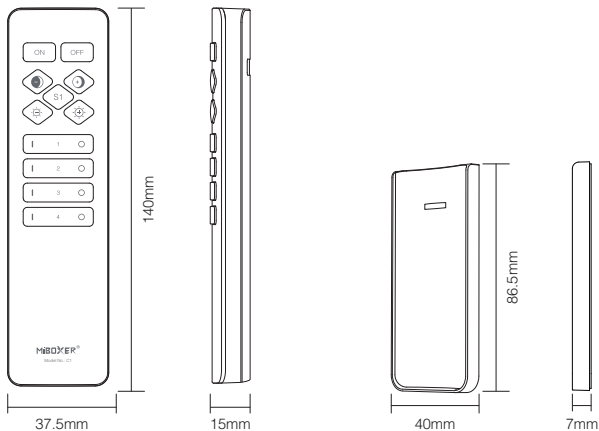
Transmitting Power: 6dBm

Standby Power Consumption: 5 μ A

RF: 2.4GHz

Working Temperature: -10~40°C

Control Distance: 30m

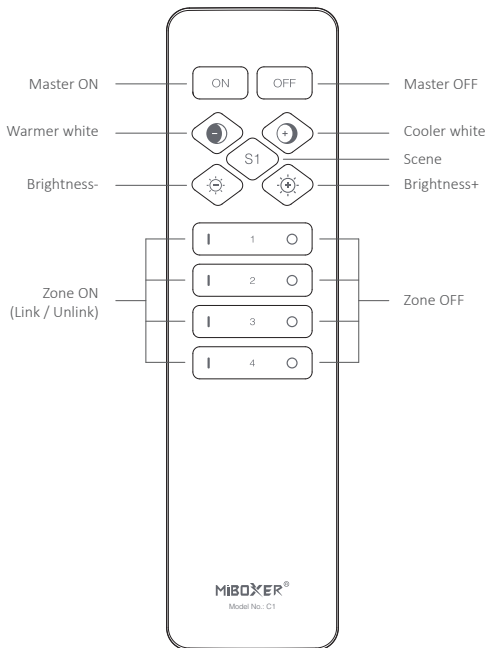


3. Button Description

S1 button

Short press: activate scene

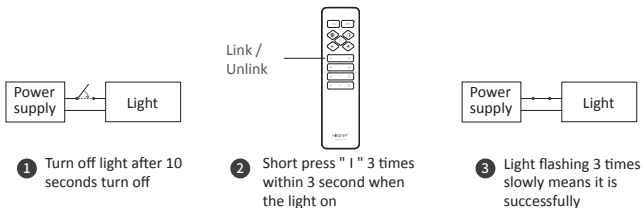
Long press 3 seconds: save color temperature or Brightness
(the light flashes one time slowly once completed successfully).



4. Linking/Unlinking

Note: Remote need link with lights before control light.

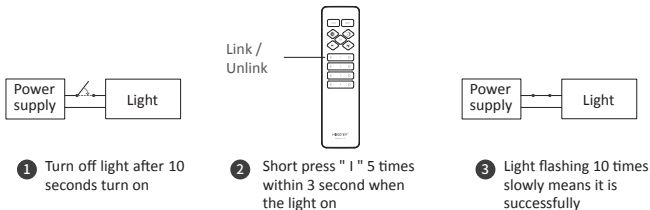
Linking instruction



Linking failed if light is not blinking slowly, Please follow above steps again.

(Note: Light that have linked can't link again)

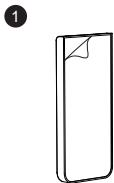
Unlinking instruction



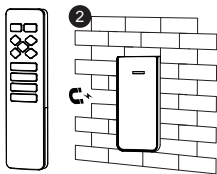
Unlinking failed if light is not blinking quickly, Please follow above steps again.

(Note: Light haven't linked that don't need to unlink)

5. Installation Notes



Take off the double-sided tape on the back of the base



Stick the base well, and the remote control is magnetically attracted to the base

6. Attention

1. This remote only control specified Mi-Light / Miboxer products; details please check manual.
2. This remote control is a precision electronic product, please do not use it in a humid or high temperature environment for a long time. When not in use for a long time, please take out the battery and store it in a dry, static-free environment.
3. Do not use the remote control in a large area of metal or in an environment with strong electromagnetic waves nearby, otherwise the control distance will be seriously affected.



Made in China