

# DIN-Rail LED Dimming Driver

0~144...288W 0~12A 12~24Vdc

- Dimming interface: DALI.
- PWM digital dimming, standard DALI logarithmic dimming curve.
- Dimming range: 0~100%, LED start at 0.1% possible.
- Max. current output: 12A.
- 0-10V output, DALI system compatible with 0-10V.
- Short circuit / Over-heat / Non load protection.
- Full protective plastic housing.
- DALI bus standard: IEC62386.
- Suitable for indoor environments.

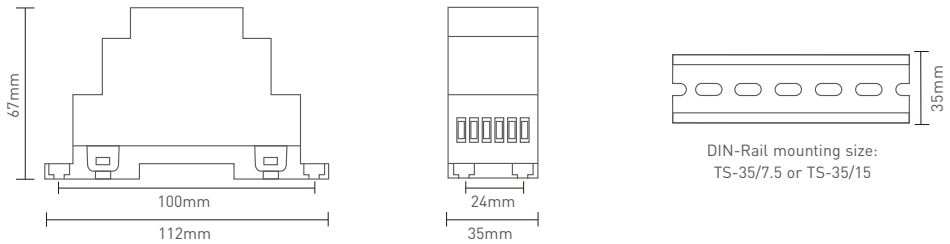


## Main Characteristics

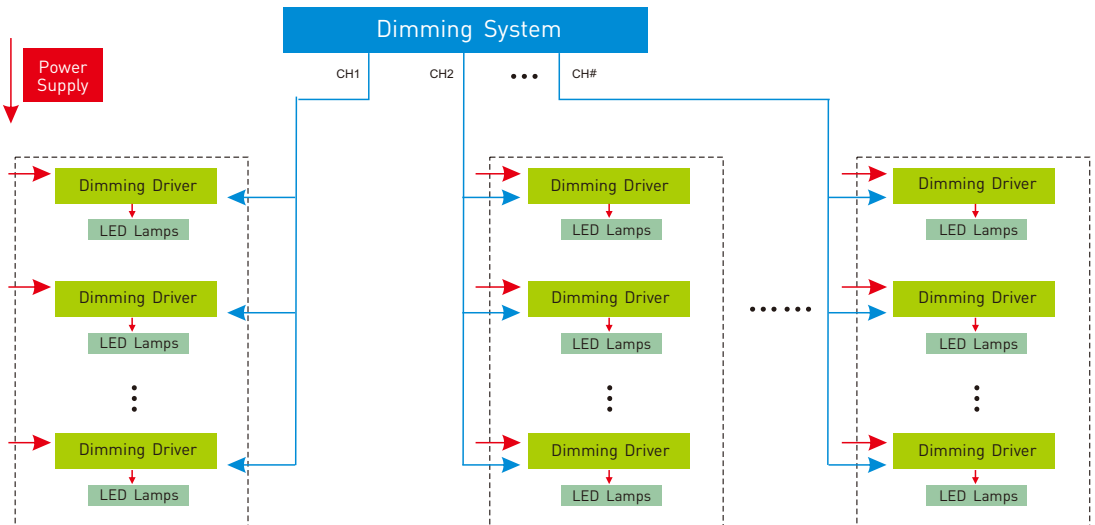
Dimming Interface:	DALI (IEC62386)
Input Voltage:	12~24Vdc
Output Voltage:	12~24Vdc
Output:	12A×1CH + 0-10V×1CH
Max. Output Power:	0-144W...288W
Dimming Range:	0~100%, LED start at 0.1% possible

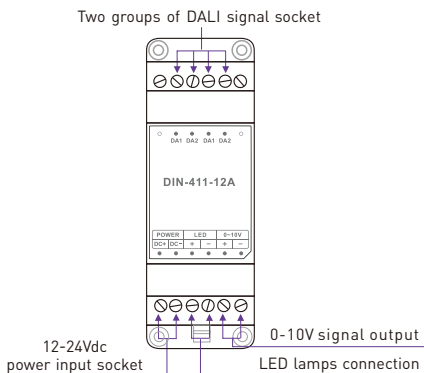
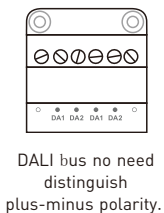
Protection:	Short circuit / Over-heat / Non-load
Mounting:	DIN-Rail or Screw
Working Temperature:	-30°C~55°C
Product Size:	L112×W35×H67(mm)
Package Size:	L114×W37×H70(mm)
Weight(G.W.):	120g

## Dimensions

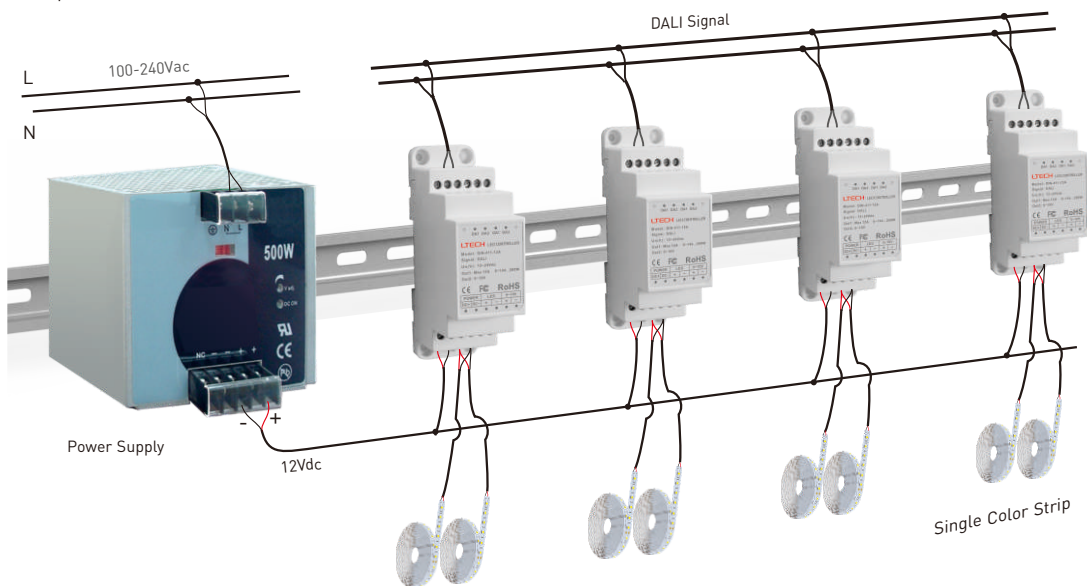


## System Connection Diagram:





12V lamp connected, loads 0~144W(12V).



24V lamp connected, loads 0~288W(24V).

