

DALI Push Switch

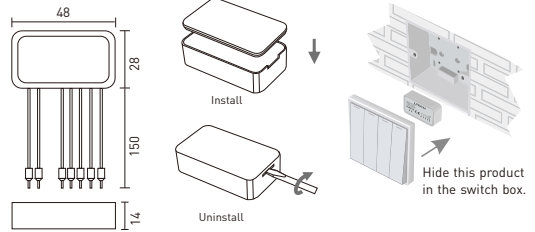
- 6 in 1 function: single address single switch, single address double switch, single group single switch, single group double switch, scene switch, broadcast switch.
- PC plastic shell, small size, easy installation.
- No external power supply, simply connected to the DALI bus.
- Low voltage operation, safe and reliable.
- Ordinary reset switch can achieve DALI intelligent control.
- Applicable to home, office, hotel, supermarket etc.



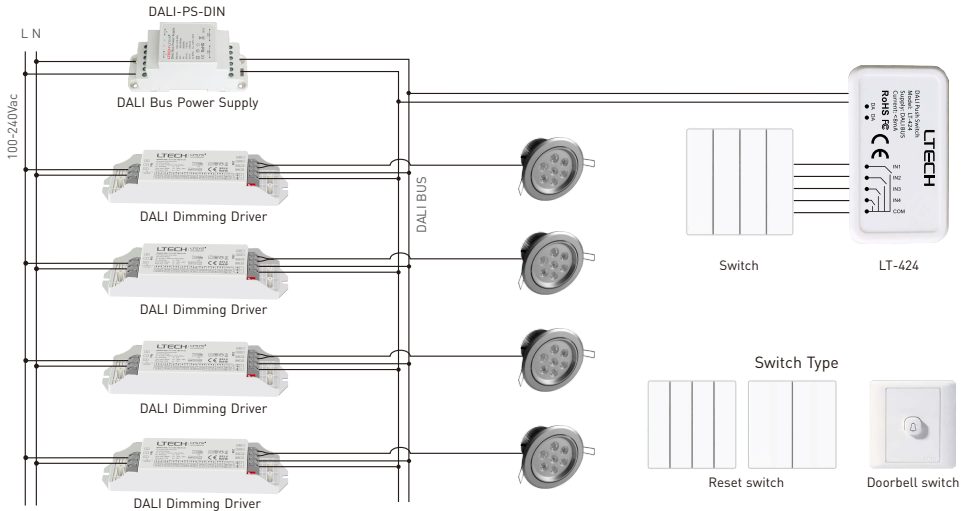
Main Characteristics

- Interface Protocol: DALI (IEC62386)
- Power Supply: DALI Bus
- Current: $\leq 8\text{mA}$ (static)
- Working Temp.: $-30^{\circ}\text{C} \sim 55^{\circ}\text{C}$
- Mode:
 - Single address single switch
 - Single address double switch
 - Single group single switch
 - Single group double switch
 - Scene switch
 - Broadcast switch
- Dimensions: L48xW28xH14(mm)
- Package Size: L50xW40xH30(mm)
- Weight(G.W.): 32g

Dimensions



Connection



Installation

1. Disconnect the power supply of all devices on the DALI bus before installing.
2. Connect according to the above wiring diagram. DALI bus does not distinguish plus-minus polarity. Meanwhile connected to the reset switch.
3. Open the shell, set up the address.

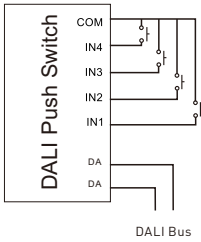
Note: This product is only suitable for the reset switch. It can be Key 1, Key 2, Key 3 or Key 4.

Troubleshooting

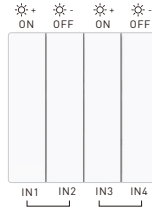
If the switch failure occurs after pressing, please check:

1. If the connection is correct;
2. Make sure to use the reset switch;
3. Check if the DALI power output is stable.

Diagram



Single address single switch
[four keys, four addresses]
Single group single switch
[four keys, four group addresses]
Scene switch
[four keys, four scenes]
Broadcast switch

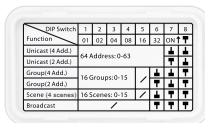
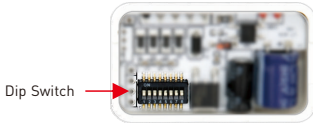


Single address double switch
[four keys, two addresses]
Single group double switch
[four keys, two group addresses]

First address is for key 1, next address is for key 2.....
Short press IN1/2/3/4 is on, press again is off.
Long press IN1/2/3/4 to increase brightness,
long press again to decrease brightness, as so on.
Note: no long press function for scene switch.

First address is for key 1 and 2, next address is for key 3 and 4.
Short press IN1/3 is on, short press IN2/4 is off.
Long press IN1/3 to increase brightness,
long press IN2/4 to decrease brightness.

Setting Method



Address value = the total value of (1-6),
to get the place value when in "on" position,
otherwise will be 0.

Uninstall the lid and find the Dip Switch. Set address following the methods on the lid.

No.	Mode	Setting Method
1	Single address single switch 4 keys control 4 addresses Address mode: 0-63	Address 0: [ON/OFF] [ON/OFF] [ON/OFF] [ON/OFF] Address 1: [ON/OFF] [ON/OFF] [ON/OFF] [ON/OFF] Address 2: [ON/OFF] [ON/OFF] [ON/OFF] [ON/OFF] Address 3: [ON/OFF] [ON/OFF] [ON/OFF] [ON/OFF] Address 4: [ON/OFF] [ON/OFF] [ON/OFF] [ON/OFF] Address 5: [ON/OFF] [ON/OFF] [ON/OFF] [ON/OFF] Address 6: [ON/OFF] [ON/OFF] [ON/OFF] [ON/OFF] Address 7: [ON/OFF] [ON/OFF] [ON/OFF] [ON/OFF] Address 8: [ON/OFF] [ON/OFF] [ON/OFF] [ON/OFF] Address 9: [ON/OFF] [ON/OFF] [ON/OFF] [ON/OFF] Address 10: [ON/OFF] [ON/OFF] [ON/OFF] [ON/OFF] Address 11: [ON/OFF] [ON/OFF] [ON/OFF] [ON/OFF] Address 12: [ON/OFF] [ON/OFF] [ON/OFF] [ON/OFF] Address 13: [ON/OFF] [ON/OFF] [ON/OFF] [ON/OFF] Address 14: [ON/OFF] [ON/OFF] [ON/OFF] [ON/OFF] Address 15: [ON/OFF] [ON/OFF] [ON/OFF] [ON/OFF] Address 16: [ON/OFF] [ON/OFF] [ON/OFF] [ON/OFF] Address 17: [ON/OFF] [ON/OFF] [ON/OFF] [ON/OFF] Address 18: [ON/OFF] [ON/OFF] [ON/OFF] [ON/OFF] Address 19: [ON/OFF] [ON/OFF] [ON/OFF] [ON/OFF] Address 20: [ON/OFF] [ON/OFF] [ON/OFF] [ON/OFF] Address 21: [ON/OFF] [ON/OFF] [ON/OFF] [ON/OFF] Address 22: [ON/OFF] [ON/OFF] [ON/OFF] [ON/OFF] Address 23: [ON/OFF] [ON/OFF] [ON/OFF] [ON/OFF] Address 24: [ON/OFF] [ON/OFF] [ON/OFF] [ON/OFF] Address 25: [ON/OFF] [ON/OFF] [ON/OFF] [ON/OFF] Address 26: [ON/OFF] [ON/OFF] [ON/OFF] [ON/OFF] Address 27: [ON/OFF] [ON/OFF] [ON/OFF] [ON/OFF] Address 28: [ON/OFF] [ON/OFF] [ON/OFF] [ON/OFF] Address 29: [ON/OFF] [ON/OFF] [ON/OFF] [ON/OFF] Address 30: [ON/OFF] [ON/OFF] [ON/OFF] [ON/OFF] Address 31: [ON/OFF] [ON/OFF] [ON/OFF] [ON/OFF] Address 32: [ON/OFF] [ON/OFF] [ON/OFF] [ON/OFF] Address 33: [ON/OFF] [ON/OFF] [ON/OFF] [ON/OFF] Address 34: [ON/OFF] [ON/OFF] [ON/OFF] [ON/OFF] Address 35: [ON/OFF] [ON/OFF] [ON/OFF] [ON/OFF] Address 36: [ON/OFF] [ON/OFF] [ON/OFF] [ON/OFF] Address 37: [ON/OFF] [ON/OFF] [ON/OFF] [ON/OFF] Address 38: [ON/OFF] [ON/OFF] [ON/OFF] [ON/OFF] Address 39: [ON/OFF] [ON/OFF] [ON/OFF] [ON/OFF] Address 40: [ON/OFF] [ON/OFF] [ON/OFF] [ON/OFF] Address 41: [ON/OFF] [ON/OFF] [ON/OFF] [ON/OFF] Address 42: [ON/OFF] [ON/OFF] [ON/OFF] [ON/OFF] Address 43: [ON/OFF] [ON/OFF] [ON/OFF] [ON/OFF] Address 44: [ON/OFF] [ON/OFF] [ON/OFF] [ON/OFF] Address 45: [ON/OFF] [ON/OFF] [ON/OFF] [ON/OFF] Address 46: [ON/OFF] [ON/OFF] [ON/OFF] [ON/OFF] Address 47: [ON/OFF] [ON/OFF] [ON/OFF] [ON/OFF] Address 48: [ON/OFF] [ON/OFF] [ON/OFF] [ON/OFF] Address 49: [ON/OFF] [ON/OFF] [ON/OFF] [ON/OFF] Address 50: [ON/OFF] [ON/OFF] [ON/OFF] [ON/OFF] Address 51: [ON/OFF] [ON/OFF] [ON/OFF] [ON/OFF] Address 52: [ON/OFF] [ON/OFF] [ON/OFF] [ON/OFF] Address 53: [ON/OFF] [ON/OFF] [ON/OFF] [ON/OFF] Address 54: [ON/OFF] [ON/OFF] [ON/OFF] [ON/OFF] Address 55: [ON/OFF] [ON/OFF] [ON/OFF] [ON/OFF] Address 56: [ON/OFF] [ON/OFF] [ON/OFF] [ON/OFF] Address 57: [ON/OFF] [ON/OFF] [ON/OFF] [ON/OFF] Address 58: [ON/OFF] [ON/OFF] [ON/OFF] [ON/OFF] Address 59: [ON/OFF] [ON/OFF] [ON/OFF] [ON/OFF] Address 60: [ON/OFF] [ON/OFF] [ON/OFF] [ON/OFF] Address 61: [ON/OFF] [ON/OFF] [ON/OFF] [ON/OFF] Address 62: [ON/OFF] [ON/OFF] [ON/OFF] [ON/OFF] Address 63: [ON/OFF] [ON/OFF] [ON/OFF] [ON/OFF]
		Single address double switch 4 keys control 2 addresses Address mode: 0-63
3	Single group single switch 4 keys control 4 group addresses Group mode: 0-15	Group 0: [ON/OFF] [ON/OFF] [ON/OFF] [ON/OFF] Group 1: [ON/OFF] [ON/OFF] [ON/OFF] [ON/OFF] Group 2: [ON/OFF] [ON/OFF] [ON/OFF] [ON/OFF] Group 3: [ON/OFF] [ON/OFF] [ON/OFF] [ON/OFF] Group 4: [ON/OFF] [ON/OFF] [ON/OFF] [ON/OFF] Group 5: [ON/OFF] [ON/OFF] [ON/OFF] [ON/OFF] Group 6: [ON/OFF] [ON/OFF] [ON/OFF] [ON/OFF] Group 7: [ON/OFF] [ON/OFF] [ON/OFF] [ON/OFF] Group 8: [ON/OFF] [ON/OFF] [ON/OFF] [ON/OFF] Group 9: [ON/OFF] [ON/OFF] [ON/OFF] [ON/OFF] Group 10: [ON/OFF] [ON/OFF] [ON/OFF] [ON/OFF] Group 11: [ON/OFF] [ON/OFF] [ON/OFF] [ON/OFF] Group 12: [ON/OFF] [ON/OFF] [ON/OFF] [ON/OFF] Group 13: [ON/OFF] [ON/OFF] [ON/OFF] [ON/OFF] Group 14: [ON/OFF] [ON/OFF] [ON/OFF] [ON/OFF] Group 15: [ON/OFF] [ON/OFF] [ON/OFF] [ON/OFF]
		Single group double switch 4 keys control 2 group addresses Group mode: 0-15
5	Scene switch 4 keys control 4 scenes Scene mode: 0-15	Scene 0: [ON/OFF] [ON/OFF] [ON/OFF] [ON/OFF] Scene 1: [ON/OFF] [ON/OFF] [ON/OFF] [ON/OFF] Scene 2: [ON/OFF] [ON/OFF] [ON/OFF] [ON/OFF] Scene 3: [ON/OFF] [ON/OFF] [ON/OFF] [ON/OFF] Scene 4: [ON/OFF] [ON/OFF] [ON/OFF] [ON/OFF] Scene 5: [ON/OFF] [ON/OFF] [ON/OFF] [ON/OFF] Scene 6: [ON/OFF] [ON/OFF] [ON/OFF] [ON/OFF] Scene 7: [ON/OFF] [ON/OFF] [ON/OFF] [ON/OFF] Scene 8: [ON/OFF] [ON/OFF] [ON/OFF] [ON/OFF] Scene 9: [ON/OFF] [ON/OFF] [ON/OFF] [ON/OFF] Scene 10: [ON/OFF] [ON/OFF] [ON/OFF] [ON/OFF] Scene 11: [ON/OFF] [ON/OFF] [ON/OFF] [ON/OFF] Scene 12: [ON/OFF] [ON/OFF] [ON/OFF] [ON/OFF] Scene 13: [ON/OFF] [ON/OFF] [ON/OFF] [ON/OFF] Scene 14: [ON/OFF] [ON/OFF] [ON/OFF] [ON/OFF] Scene 15: [ON/OFF] [ON/OFF] [ON/OFF] [ON/OFF]
		Broadcast switch Any key can control ON/OFF and dimming of all addresses.