

M series LED controller

M4/M8

RF WIRELESS



FC CE RoHS (warranty 5 years)

M series LED controller is compatible with 8 kinds remotes of different function (patent technology) . which means using one receiver could experience single color/CT dimming, RGB/RGBW adjustment to meet customers' different lighting requirements. With the RF remote, speed/brightness adjustment, customise color and lighting changing modes selection could all be achieved

1. Parameter:

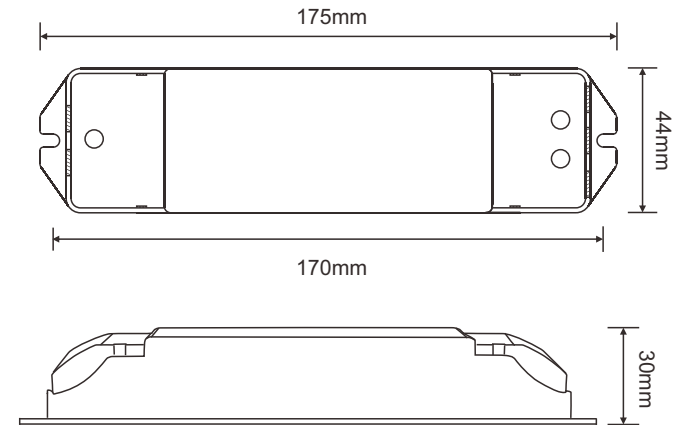
Remote(RGBW):

Model:	M4/M8
Working Voltage:	3Vdc (battery CR2032)
Working Frequency:	433.92MHz
Remote Distance:	30m
Working Temp.:	-30°C~55°C
Weight(N.W.):	42g

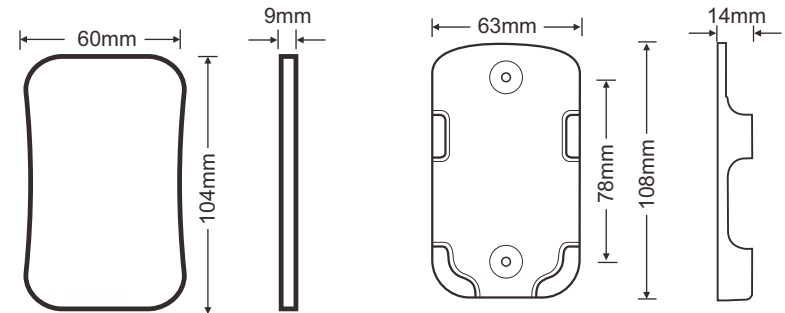
CV Receiver (RGBW):

Model:	M4-5A
Input Voltage:	12~24Vdc
Current Load:	5A×4CH Max 20A
Max Output Power:	(0...60W~120W)×4CH
Protection:	Short circuit/Over-load
Working Temp.:	-30°C~55°C
Weight(N.W.):	125g

2. Product Size:



Receiver



Remote

Remote-holder

3. The Learning ID Method of Remote Control:

Remote control has been matched to the receiver before leave factory, if deleted accidentally, you can learn ID as follow.

Learning ID: Short press ID learning button on the M4-5A receiver, the running light is on, then press any key on the M4/M8 remote control, the running light flashes several times, activated.

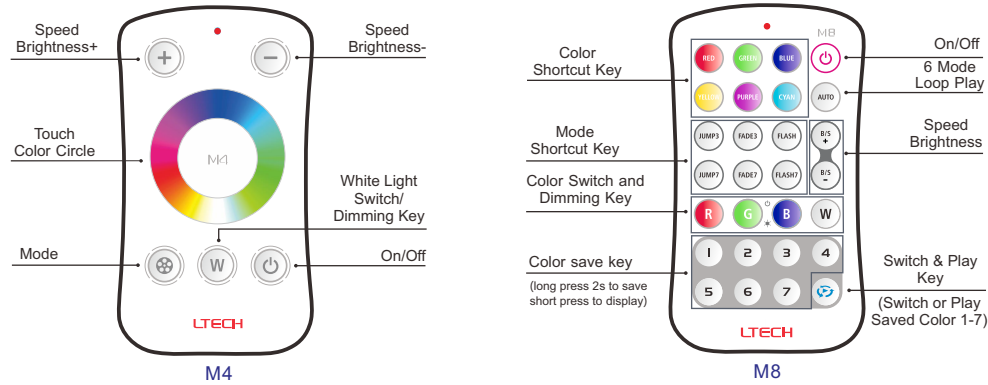
Cancel ID: Long press ID learning button on the M4-5A receiver for 5 seconds.

Attn: one receiver can be matched with max 10 same or different kinds remote.

4. Operating Instruction for Receiver:



5. Operating Instruction for Remote Control:

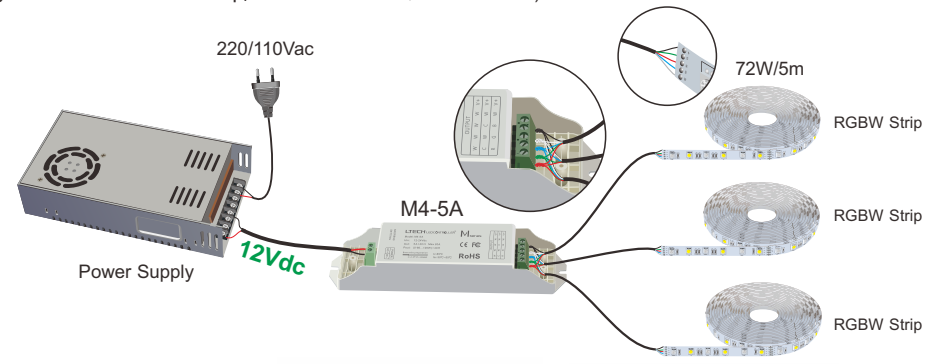


M4 Changing Mode Table

No.	Mode	Instrucion	No.	Mode	Instrucion
1	Static Red	Brightness Adjustable	7	Static White	Brightness Adjustable
2	Static Green	Brightness Adjustable	8	RGB Skipping	Speed/Brightness Adjustable
3	Static Blue	Brightness Adjustable	9	7 Colors Skipping	Speed/Brightness Adjustable
4	Static Yellow	Brightness Adjustable	10	RGB Color Smooth	Speed/Brightness Adjustable
5	Static Purple	Brightness Adjustable	11	Full-color Smooth	Speed/Brightness Adjustable
6	Static Cyan	Brightness Adjustable	12	Static Black	White light can be turn/off and adjusted

6. Wiring Diagram:

E.g. 1: Connected 12V lamp, loads 0~240W (5A×4CH×12V).



E.g. 2: Connected 24V lamp, loads 0~480W (5A×4CH×24V).

